

bourdon tube pressure gauges

HEAVY WORK

DS 4", 6" (100-150mm)



PED 2014/68/UE ATEX 2014/34/UE TP TC 012/2011

These instruments are designed for use in the chemical and petrochemical processing industries, as well as in conventional power plants. They are built to withstand the most severe operating conditions created by the environment and the process medium. These instruments are suitable for use with fluids that have low viscosity or do not crystallize. The use of high-quality materials in the construction of the sensing element and the filling of the case with damping liquid enables their use in applications involving highly dynamic pulsating pressures.

The unique construction technology allows these instruments to withstand overpressures up to four times the full-scale value without compromising accuracy and repeatability.

1.19.1 - Standard Model

Design: EN837-1.

Safety designation: S1 as per EN 837-2.

Ranges: from 0...15 to 0...10000 psi (from 0...1 to 0...600 bar or equivalent units).

Accuracy class: 1 according to EN 837-1.

Ambient temperature:

-4...+149 °F (-20...+65 °C), IP55 housing (EN 60529/IEC 529);

-63...+149 °F (-53...+65 °C), vented IP65/67 housing (EN 60529/IEC 529).

Process fluid temperature: -40...+302°F (-40...+150 °C).

Thermal drift: ±0,4 %/10 °C of range (starting from 68°F- 20°C).

Working pressure :

100% of FSV for static pressures;

90% of FSV for pulsating pressures.

Overpressures: up to 400% of FSV (see tables at pag. 2)

Socket material: in AISI 316L.

Bourdon tube: in AISI 316L stainless tube.

Case: stainless steel.

Ring: stainless steel, bayonet lock.

Window: safety glass.

Movement: stainless steel with internal limit stops.

Dial: aluminium, white with black markings.

Pointer: adjustable, aluminium, black.

1.19.2 - Fillable Model

Ambient temperature: -4...+149 °F (-20...+65 °C), IP 65/67 housing (EN 60529/IEC 529).

Other features: as Standard Model.

1.19.3 - Filled Model

Accuracy Class: 1,6 as per EN 837-1.

Damping liquid: glycerine 98% or silicon oil.

Ambient temperature:

+32...+149°F (0...+65 °C) with glycerine filling;

-4...+149°F (-20...+65 °C) with silicon oil filling.

Process fluid temperature: +149°F (+65 °C).

Protection degree: IP 65/67 as per EN 60529/IEC 529.

Other features: as Standard Model.

OXYGEN INSTRUMENTS

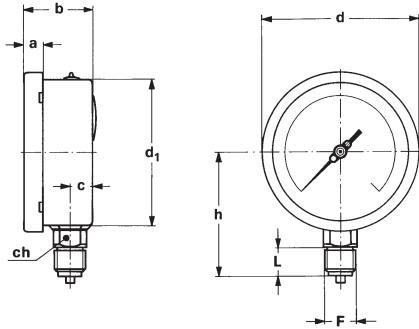
To suit criteria of standard EN837-1/2, the pressure gauges for oxygen service must be solid- front type (with baffle wall and safety blow-out back).

The most suitable instrument for this service is the MGS21 model.

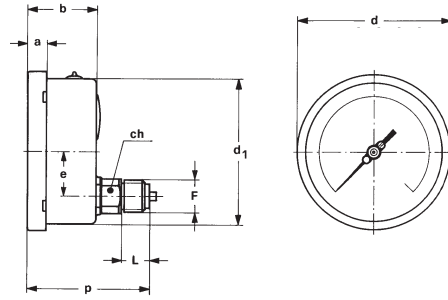
bourdon tube pressure gauges

HEAVY WORK, DS 4", 6" (100-150mm)

MGS19



A - LOWER CONNECTION



D - BACK CONNECTION

Mounting	DS	F	a	b	c	d	d ₁	e	h	p	L	ch	Weight (1)
Lower	E 4" (100)	41M - G 1/2 A	0.51"	1.90"	0.59"	4.35"	3.97"		3.38"		0.78"	0.87"	1.16 lbs
		43M - 1/2-14 NPT	(13)	(48,5)	(15)	(110,6)	(101)		(86)		(20)	(22)	(0,53 kg)
Lower	G 6" (150)	41M - G 1/2 A	0.59"	1.98"	0.61"	6.33"	5.88"		4.60"		0.78"	0.87"	2.24 lbs
		43M - 1/2-14 NPT	(15)	(50,5)	(15,5)	(161)	(149,6)		(117)		(20)	(22)	(1,02 kg)
Back	E 4" (100)	41M - G 1/2 A	0.51"	1.90"		4.35"	3.97"	1.22"		3.21"	0.78"	0.87"	1.14 lbs
		43M - 1/2-14 NPT	(13)	(48,5)		(110,6)	(101)	(31)		(81,5)	(20)	(22)	(0,52 kg)
Back	G 6" (150)	41M - G 1/2 A	0.59"	1.98"		6.33"	5.88"	1.22"		3.19"	0.78"	0.87"	2.09 lbs
		43M - 1/2-14 NPT	(15)	(50,5)		(161)	(149,6)	(31)		(81)	(20)	(22)	(0,95 kg)

dimensions : inches (mm)

(1) add 0.72 lbs (0,33 kg) for DS 4" (100) and 1.65 lbs (0,78 kg) for DS 6" (150), when filled

RANGES

bar (1)	Ranges	0...1	0...1,6	0...2,5	0...4	0...6	0...10	0...16	0...25	0...40	0...60	0...100	0...160	0...250	0...400	0...600
	Overpressure		4	6	10	16	25	40	48	75	80	120	200	320	500	800

psi	Ranges	0...15	0...30	0...60	0...100	0...160	0...200	0...300	0...400	0...600	0...1000	0...1500	0...2000	0...3000	0...4000	0...6000	0...10000
	Overpressure		60	120	240	400	480	600	900	1000	1200	2000	3000	4000	6000	8000	10000

bar (1)	Ranges	-0...1	0...0,6	-1...-1,5	-1...-3	-1...-5	-1...-9	-1...15	-1...24
	Overpressure		3	5	9	15	23	39	47

psi	Ranges (2)	-30...0	-30...15	-30...30	-30...150
	Overpressure		45	100	125

(1) Available measurement units kPa, MPa, kg/cm²

(2) Vacuum measurement unit: InHg

OPTIONS

Model	standard	fillable	filled
B - "U"-clamp, for back connection pressure gauges	◆	◆	◆
C - Back flange, for lower connection pressure gauges	◆	◆	◆
E - Front flange, for back connection pressure gauges	◆	◆	◆
2G2 - ATEX II 2G h - T.a. -20...+60 °C (1)	◆	◆ (2)	
2D2 - ATEX II 2GD h - T.a. -20...+60 °C (1)		◆ (2)	◆ (3)
2D0 - ATEX II 2GD h - T.a. 0...+60 °C (1)			◆
2D5 - ATEX II 2GD h - T.a. -53...+60 °C (1)	◆ (2) (4)		
C40 - AISI 316L st. st. case, ring and blow out disk	◆	◆	◆
S10 - Silicone filling			◆
ECV - Vented housing version, Ambient temperature -53...+65 °C (2) (5)	◆		
E67 - Protection degree IP65/67 (4)	◆		

(1) See catalogue sheet concerning ATEX execution

(2) to be ordered with E67 option

(3) to be ordered with S10 option

(4) to be ordered with ECV option

(5) in case of corrosive atmosphere the filled type should be chosen

"HOW TO ORDER" SEQUENCE

Section / Model / Case / Mounting / Diameter / Range / Process connection / Options

1 19 1 A E 41M B, C, E
2 D G 43M 2G2...E67
3

Copyright © Nuova Fima srl. All rights reserved. Any part of this publication should not be reproduced without a written Nuova Fima's srl approval

NUOVA FIMA USA Inc.
 www.nuovafima.com - e-mail: infousa@nuovafima.com
 4123 Hollister, Suite G - TX 77080 Houston
 TEL. +1 713.690.9800 - FAX +1 713.690.9803

-2-

NUOVA FIMA srl
 www.nuovafima.com - e-mail: info@nuovafima.com
 P.O. BOX 58 - VIA C. BATTISTI 59 - 28045 INVORIO (NO) ITALY
 TEL. +39 0322 253200 - FAX +39 0322 253232



RC8 - 10/20 IN ORDER TO IMPROVE THEIR PRODUCTION, MESSRS. NUOVA FIMA RESERVE THE RIGHT TO THEMSELVES TO MAKE ALL THE MODIFICATIONS THAT THEY DEEM INDISPENSABLE AT ANY TIME. UPDATED DATA SHEETS ARE AVAILABLE ON SITE: www.nuovafima.com